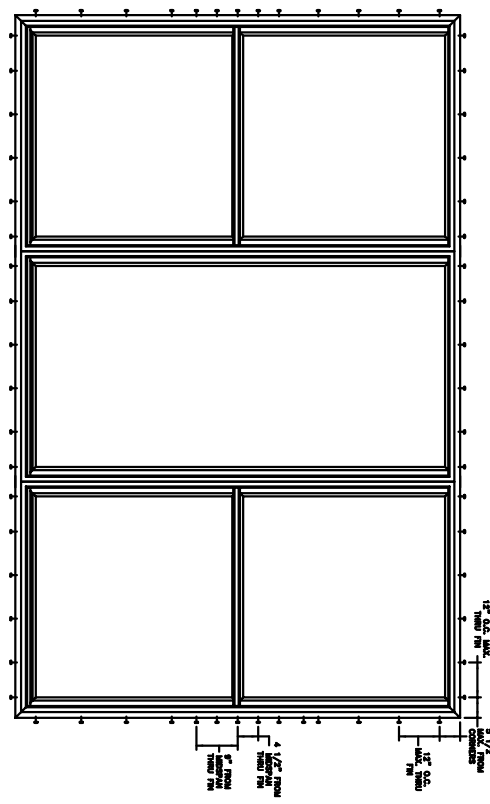
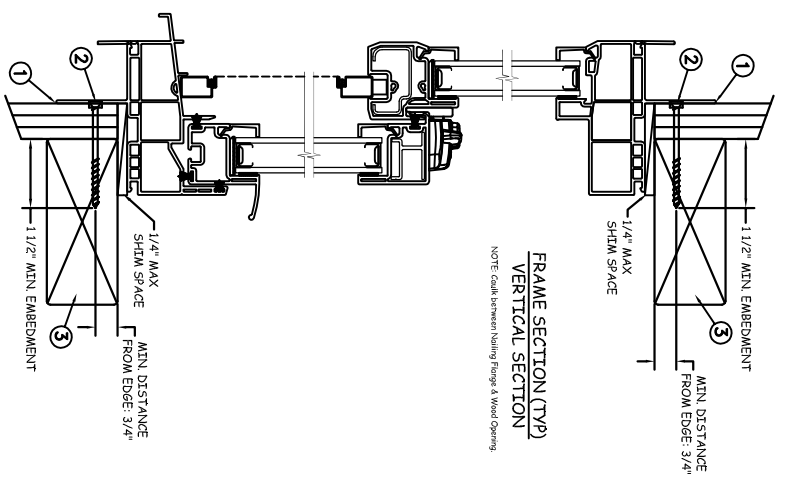


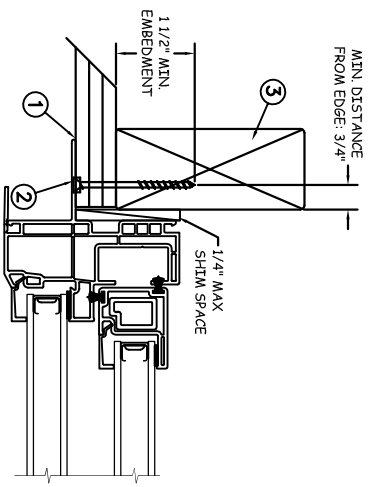
NAIL FIN INSTALLATION



TYPICAL ELEVATION WITH FASTENER SPACING



FRAME SECTION (TYP)
VERTICAL SECTION
NOTE: Gasket between Nailing Flange & Wood Opening



JAMB SECTION (TYP)
HORIZONTAL SECTION
NOTE: Gasket between Nailing Flange & Wood Opening

Max Frame	DP RATING	IMPACT
120 x 84	+35/-40	NO

Installation Notes:

1. Seal flange/frame to substrate.
2. Use #8 PH or greater fastener through the nail fin with sufficient length to penetrate a minimum of 1 1/2" into the wood framing. For two (2X) wood frame substrate (min. S.G. = 0.42).
3. Host structure (wood buck, masonry, steel) to be designed and anchored to properly transfer all loads to the structure. The host structure is the responsibility of the architect or engineer of record for the project or installation.

General Notes:

1. The product shown herein is designed, tested and manufactured to comply with the wind load criteria of the adopted International Building Code (IBC), the International Residential Code (IRC), the Florida Building Code (FBC) excluding HVHZ and the industry requirement for the stated conditions.
2. All glazing shall conform to ASTM E1300.
3. At minimum, glazing shall be double strength annealed insulating glass.
4. Use structural or composite shims where required.

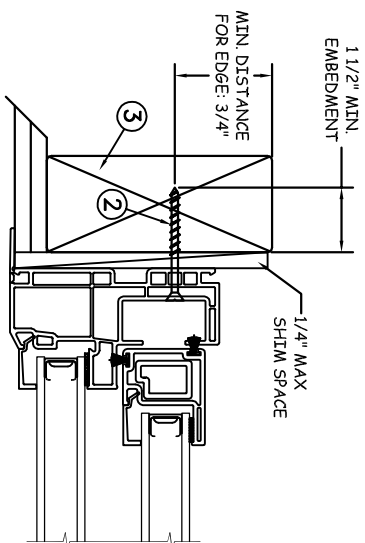
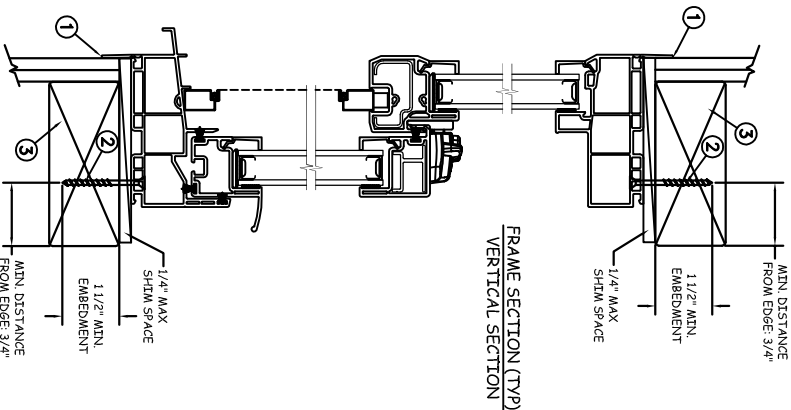
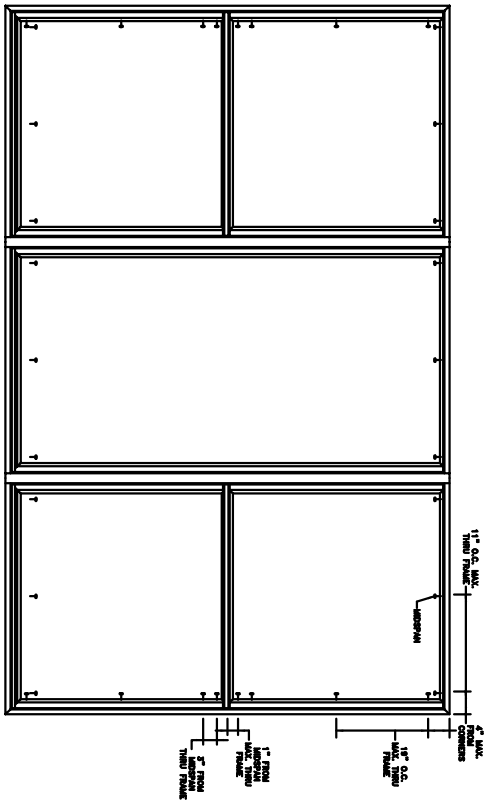
This schedule addresses only the fasteners required to anchor the window to achieve the rated design pressure up to the size limitations noted. It is not intended as a guide to the installation process and does not address the sealing consideration that may arise in different wall conditions. For the complete installation procedure, see the instructions packaged with the window or go to www.jeld-wen.com/resources/installation.

DISCLAIMER:

This drawing and its contents are confidential and are not to be reproduced or copied in whole or in part or used or disclosed to others except as authorized by JELD-WEN Inc.

PROJECT ENGINEER: A. McMILLAN	DATE: 12/08/17		3737 Lakeport Blvd Klamath Falls, OR, 97601 Phone: (800) 535-3936
DRAWN BY: A. McMILLAN	SCALE: NTS		
CHECKED BY: J. GOOSSSEN	TITLE: Premium Vinyl Tilt Single Hung Window XOX		
APPROVED BY: J. GOOSSSEN			
PART/PROJECT No.: D014535			
IDENTIFIER NO. 110-17-034	PLANT NAME AND LOCATION:	CAD DWG. No.: PremVinylSHXOX Car	REV: A SHEET 1 OF 4

**THROUGH FRAME
INSTALLATION**



Max Frame	DP RATING	IMPACT
120 x 84	+35/-40	NO

Installation Notes:

1. Seal flange/frame to substrate.
2. Use #8 PH or greater fastener through the frame with sufficient length to penetrate a minimum of 1 1/2" into the wood framing. For two (2X) wood frame substrate (min. S.G. = 0.42).
3. Host structure (wood buck, masonry, steel) to be designed and anchored to properly transfer all loads to the structure. The host structure is the responsibility of the architect or engineer of record for the project or installation.

General Notes:

1. The product shown herein is designed, tested and manufactured to comply with the wind load criteria of the adopted International Building Code (IBC), the International Residential Code (IRC), the Florida Building Code (FBC) excluding HV/HZ and the industry requirement for the stated conditions.
2. All glazing shall conform to ASTM E1300.
3. At minimum, glazing shall be Double strength annealed insulating glass.
4. Use structural or composite shims where required.

This schedule addresses only the fasteners required to anchor the window to achieve the rated design pressure up to the size limitations noted. It is not intended as a guide to the installation process and does not address the sealing consideration that may arise in different wall conditions. For the complete installation procedure, see the instructions packaged with the window or go to www.jeld-wen.com/resources/installation.

DISCLAIMER:

This drawing and its contents are confidential and are not to be reproduced or copied in whole or in part or used or disclosed to others except as authorized by JELD-WEN Inc.

PROJECT ENGINEER: A. McMILLAN	DATE: 12/08/17	<p>JELD-WEN</p> <p>3737 Lakeport Blvd Klamath Falls, OR, 97601 Phone: (800) 535-3936</p>
DRAWN BY: A. McMILLAN	SCALE: NTS	
CHECKED BY: J. GOOSSSEN	TITLE: Premium Vinyl Tilt Single Hung	
APPROVED BY: J. GOOSSSEN		
PART/PROJECT No.: D014483		
IDENTIFIER No.: 110-16-144	PLANT NAME AND LOCATION:	
	CAD DWG. No.: PremVinj/1SH Carl	REV: A
		SHEET 2 OF 4